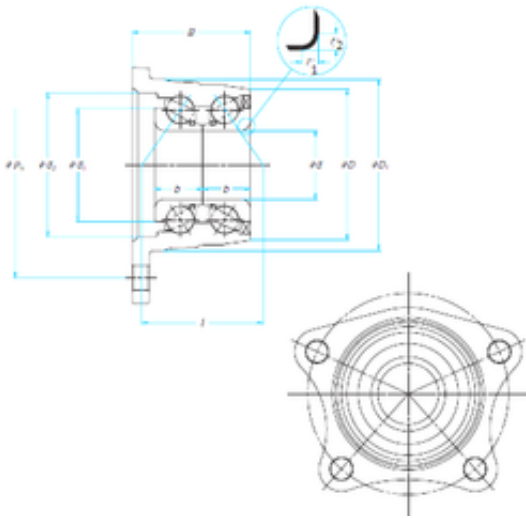




NTN Bearing Rolamentos do Brasil Ltda.



30 mm x 67 mm x 46,3 mm NSK EP30BWK14 Angular Contact Ball Bearings

Bearing No. EP30BWK14

Bore Diameter	30 mm
d	30 mm
Dr	80 mm
Ph	106 mm
b	21 mm
d1	49,5 mm
d2	71 mm
r1 min.	3,6 mm
r2 min.	3,6 mm
B	46,3 mm
D	67 mm
	53,1 Tolerance h14
Weight	1,35 Kg
Basic dynamic load rating (C)	47 kN
Basic static load rating (C0)	35,5 kN

EP30BWK14 Bearing 2D drawings and 3D CAD models