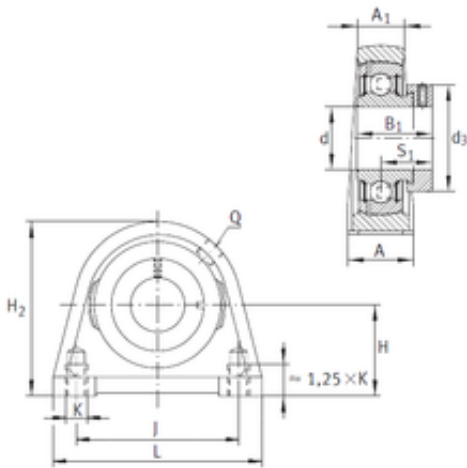




# NTN Bearing Rolamentos do Brasil Ltda.

## INA PSHE20-N Bearing Units

Bearing No. PSHE20-N



PSHE20-N Bearing 2D drawings and 3D CAD models

Bore Diameter	20 mm
d	20 mm
Thread (Q)	Rp1/8
Thread (K)	M8
d3	33 mm
A	32 mm
A1	19 mm
B1	31 mm
H	33,3 mm
H2	64 mm
J	50,8 mm
L	65 mm
S	23,5 mm
Weight	0,46 Kg
Basic dynamic load rating (C)	12,8 kN
Category	Pillow Block Bearings
Inventory	2.0
Manufacturer Name	SCHAEFFLER GROUP
Minimum Buy Quantity	N/A
Weight / Kilogram	0.611
Product Group	M06110
Number of Mounting Holes	2
Mounting Method	Eccentric Collar
Housing Style	2 Bolt Tap Base Pillow Block
Rolling Element	Ball Bearing
Housing Material	Cast Iron



## NTN Bearing Rolamentos do Brasil Ltda.

Expansion / Non-expansion	Non-expansion
Mounting Bolts	8 Millimeter
Relubricatable	Yes
Insert Part Number	GRAE20NPPB
Seals	Double Lip Contact
Housing Configuration	1 Piece Solid
Inch - Metric	Metric
Other Features	Single Row   With Set Screw
Long Description	2 Bolt Tap Base Pillow Block; 20MM Bore; 33.3MM Base to Center Height; Eccentric Collar Mount; Ball Bearing; Relubricatable; Cast Iron; Double Lip Contact; Non-expansion
Category	Pillow Block
UNSPSC	31171511
Harmonized Tariff Code	8483.20.40.40
Noun	Bearing
Keyword String	Pillow Block
Manufacturer URL	<a href="http://www.ina.com">http://www.ina.com</a>
Manufacturer Item Number	PSHE20N
Weight / LBS	1.125
Length Thru Bore	1.22 Inch   31 Millimeter
Actual Bolt Center to Center	2 Inch   52Millimeter
Base to Center Height	1.311 Inch   33.3 Millimeter
Bolt Spacing Minimum	0 Inch   0Millimeter
Nominal Bolt Center to Center	2 Inch   52 Millimeter
Bore	0.787 Inch   20 Millimeter
Bolt Spacing Maximum	0 Inch   0Millimeter