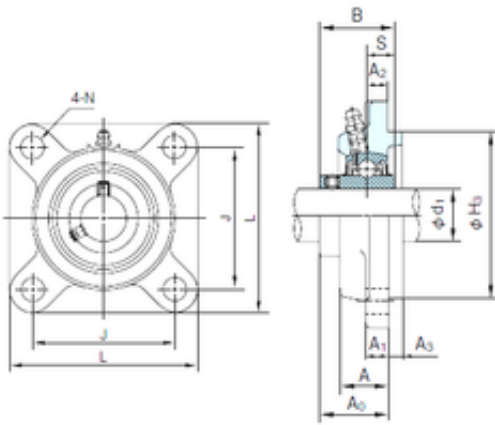




NACHI UCFS309 Bearing Units

Bearing No. UCFS309



UCFS309 Bearing 2D drawings and 3D CAD models

Bore Diameter	45 mm
d1	45 mm
H3	125 mm
A0	49 mm
A	33 mm
A1	18 mm
B	57 mm
J	125 mm
L	160 mm
N	19 mm
S	22 mm
Bolt (G)	M16
A2	14 mm
A3	11 mm