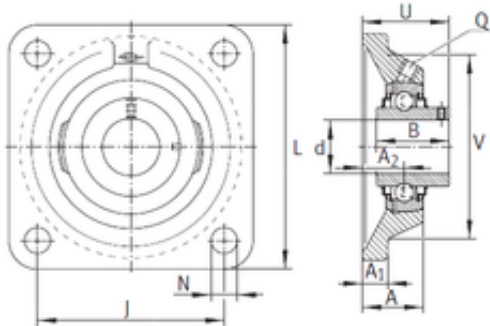




**INA RCJY50-N Bearing Units**



RCJY50-N Bearing 2D drawings and 3D CAD models

Bearing No. RCJY50-N

Bore Diameter	50 mm
d	50 mm
V	125 mm
U	60,6 mm
Thread (Q)	Rp1/8
A	39 mm
A1	13 mm
B	51,6 mm
J	111 mm
L	143 mm
N	18 mm
A2	28 mm
Weight	2,33 Kg
Basic dynamic load rating (C)	35 kN
Category	Flange Block Bearings
Inventory	2.0
Manufacturer Name	SCHAEFFLER GROUP
Minimum Buy Quantity	N/A
Weight / Kilogram	2.9
EAN	4012802067101
Product Group	M06110
Number of Mounting Holes	4
Mounting Method	Set Screw
Housing Style	4 Bolt Square Flange Block
Rolling Element	Ball Bearing
Housing Material	Cast Iron



## NTN Bearing Rolamentos do Brasil Ltda.

Expansion / Non-expansion	Non-expansion
Mounting Bolts	14 Millimeter
Relubricatable	Yes
Insert Part Number	GYE50KRRB
Seals	Double Land Riding Rubber Contact
Housing Configuration	1 Piece Solid
Pilot Configuration	No Pilot
Inch - Metric	Metric
Long Description	4 Bolt Square Flange Block; 50MM Bore; 157MM Bolt Circle; 111MM Bolt Spacing; 1 Piece Solid; Set Screw Mount; Cast Iron; Ball Bearing; 51.6MM Length Thru Bore; Relubricatable; Double Land Riding Rubbe
Other Features	Single Row   With Grub Screw
Category	Flange Block
UNSPSC	31171501
Harmonized Tariff Code	8483.20.40.40
Noun	Bearing
Keyword String	Flanged
Manufacturer URL	<a href="http://www.ina.com">http://www.ina.com</a>
Manufacturer Item Number	RCJY50
Weight / LBS	6.395
Nominal Bolt Circle Diameter Round	6.2 Inch   157 Millimeter
Cartridge Pilot Depth	0 Inch   0 Millimeter
Cartridge Pilot Diameter	0 Inch   0 Millimeter
Length Thru Bore	2.031 Inch   51.6 Millimeter
Bolt Spacing	4.37 Inch   111 Millimeter
Bore	1.969 Inch   50 Millimeter