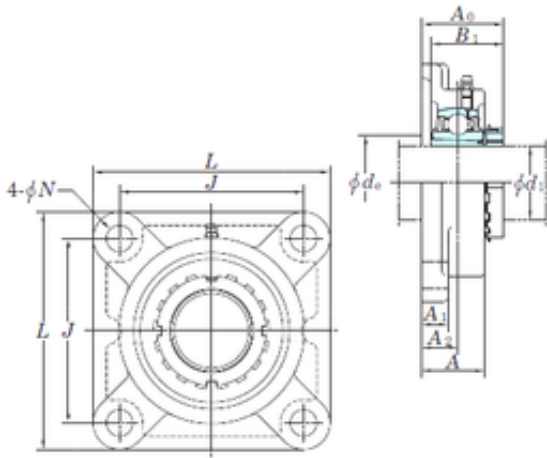




**KOYO UKFX06 Bearing Units**



Bearing No. UKFX06

Bore Diameter	25,4 mm
d	25,4 mm
A0	40 mm
d3	36 mm
A	34 mm
A1	14 mm
B1	38 mm
J	92 mm
L	117 mm
N	16 mm
Thread (G)	M14
A2	19 mm
Weight	1,6 Kg
Basic dynamic load rating (C)	25,7 kN
Basic static load rating (C0)	15,4 kN

UKFX06 Bearing 2D drawings and 3D CAD models