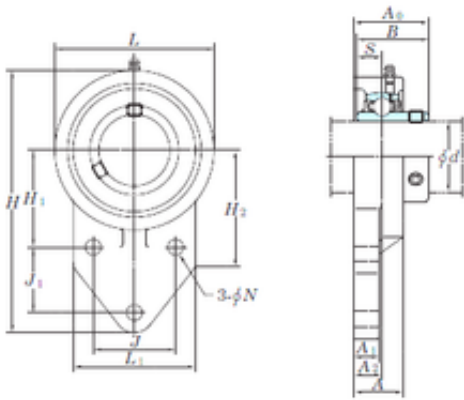




KOYO UCFB204-12 Bearing Units



Bearing No. UCFB204-12

Bore Diameter	19.05 mm
d	19.05 mm
A0	31,8 mm
A	24 mm
A1	13 mm
B	31 mm
H	110 mm
H1	42 mm
H2	52 mm
J	32 mm
L	62 mm
L1	52 mm
N	9,5 mm
S	12,7 mm
Bolt (G)	M8
A2	13,5 mm
J1	27 mm
Weight	0,59 Kg
Basic dynamic load rating (C)	12,8 kN
Basic static load rating (C0)	6,65 kN

UCFB204-12 Bearing 2D drawings and 3D CAD models