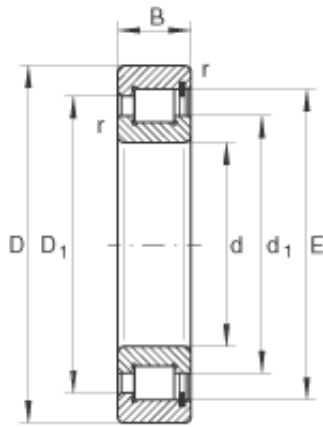




NTN Bearing Rolamentos do Brasil Ltda.



110 mm x 150 mm x 24 mm INA SL182922 Cylindrical Roller Bearings

Bearing No. SL182922

SL182922 Bearing 2D drawings and 3D CAD models

Size	110x150x24 mm
Bore Diameter	110 mm
Outer Diameter	150 mm
Width	24 mm
d	110 mm
D	150 mm
B	24 mm
D ₁	136,2 mm
d ₁	124 mm
E	141,5 mm
r _{min}	1,1 mm
s	1,5 mm / Axial displacement
m	1,23 kg / Weight
C _r	155000 N / Dynamic load rating (radial)
C _{0r}	213000 N / Static load rating (radial)
C _{ur}	34000 N / Fatigue limit load, radial
n _G	2500 1/min / Limiting speed
Category	Cylindrical Roller Bearings
Inventory	0.0
Manufacturer Name	SCHAEFFLER GROUP
Minimum Buy Quantity	N/A
Weight / Kilogram	1.449



NTN Bearing Rolamentos do Brasil Ltda.

EAN	4054364122935
Product Group	B04144
Bore Profile	Straight
Cage Material	None
Precision Class	RBEC 1 ISO P0
Number of Rows of Rollers	Single Row
Separable	No
Rolling Element	Cylindrical Roller Bearing
Profile	Complete with Outer and Inner Ring
Snap Ring	No
Internal Clearance	C0-Medium
Retainer	No
Relubricatable	Yes
Inch - Metric	Metric
Other Features	Full Complement 2 Rib Inner Ring 1 Rib Outer Ring with Retaining Ring Operating Temperature From -30 to 120 Deg
Long Description	110MM Bore; Straight Bore Profile; 150MM Outside Diameter; 24MM Width; RBEC 1 ISO P0; Single Row; Not Separable; No Snap Ring; Relubricatable; C0-Medium Internal Clearance; No Retainer
Category	Cylindrical Roller Bearing
UNSPSC	31171547
Harmonized Tariff Code	8482.50.00.00
Noun	Bearing
Manufacturer URL	http://www.ina.com
Manufacturer Item Number	SL182922
Weight / LBS	3.194
Bore	4.331 Inch 110 Millimeter



NTN Bearing Rolamentos do Brasil Ltda.

Width	0.945 Inch 24 Millimeter
Outside Diameter	5.906 Inch 150 Millimeter